



THE NEW
VOLVO XC40

THE COMPACT SUV

The small SUV that's big on innovation. With expressive design, ingenious storage and smart technology, it's built for city life.



STAND TALL

High ground clearance gives the XC40 a powerful stance and excellent visibility. Large wheels and tyres cope effortlessly with any road. This is the SUV that allows you to rise above it all.



ALWAYS READY

Large alloy wheels and a wide body give the XC40 a strong presence. This is an SUV that's ready for anything.

STRENGTH OF CHARACTER

The XC40 expresses toughness, and is unmistakably a Volvo, through features such as its proud grille, T-shaped light signatures and sculpted front bumper with skid plate.



BEAUTY IN DETAIL

It's details that set Volvo Cars interiors apart. The thought, effort and craftsmanship that go into the smallest elements in the cabin of the XC40 help to create a unique and special feeling each time you climb inside.



PANORAMIC ROOF

The interior of the XC40 is shaped by a uniquely Swedish appreciation of light. A panoramic roof floods the interior with natural light by day.



WIRELESS PHONE CHARGING

There's a space beneath the centre touch screen where a mobile phone can be stored and wirelessly charged.



AIR VENTS

The air vents in the XC40 are an example of our designers' ingenuity, with an innovative.

EXPRESSIVE DESIGN

The Volvo XC40 is an authentic SUV for the city. Youthful design combines with SUV style to create a bold car that makes a statement.



IN SYNC WITH YOU

Every interaction in the XC40 feels natural and intuitive. From the easy-to-use centre touch screen to the high-resolution driver display and voice control that understands normal speech, technology is there to make things simple.



STREAMING. ON DEMAND

Access to streaming services is just the touch of a button or a voice command away in the XC40. And support for Apple CarPlay™ and Android Auto™



SAFER THAN EVER

Protecting you and your passengers has always been at the heart of every Volvo car, and the advanced safety features in the XC40 are the result of our decades of innovation.

CITY SAFETY : PROTECTING WHAT'S IMPORTANT

Volvo Cars is synonymous with safety, and the advanced features in the XC40 are the result of decades of experience and innovation – they are there to help you avoid a collision and protect you and your passengers if one should occur.



INTERSECTION BRAKING
City Safety includes an intersection braking function that can help to make an accident at a road junction less likely or less harmful.



REAR COLLISION WARNING
Included as part of the IntelliSafe Surround option, our rear collision warning system works to protect you if it detects a risk of a collision from behind.



RUN-OFF ROAD MITIGATION
Our Run-off road Mitigation technology helps to keep you safe by keeping you on the road. If this innovation detects you are about to leave the road unintentionally at any speed between 65-140km/h.



LANE KEEPING AID
Fitted as standard, this feature monitors the road ahead and gently steers the car back into its lane if it detects that you're about to cross a lane marking unintentionally.



BLIND SPOT INFORMATION
Our Blind Spot Information technology makes journeys safer and less stressful by providing better awareness of traffic on the highway.

R-DESIGN.

THE SPORTY LOOK

The R-Design expression catches the sporty soul of your XC40, with a glossy black colour theme including the roof and other distinctive exterior design details. The large alloy wheels enhance the car's road presence and add to the powerful look.



XC40 R-DESIGN

Includes :

Exterior :

20" 5-Double Spoke Matt Black Diamond Cut alloy wheel (option) | R-Design grille with glossy black frame | Clamshell hood | Black roof with all exterior colours | Glossy black integrated roof rails | Glossy black door mirror covers | Glossy black window trim | Glossy Black skid plate | Dual integrated tail pipes | LED Foglights in front spoiler | C-pillar R-Design moulding | Sport Chassis

Interior :

R-Design Perforated Fine Nappa Leather/Nubuck Textile upholstery | 4-way power lumbar support | Manual cushion extensions | Cutting Edge aluminium decor inlays | Lava interior carpeting (option) | Steering wheel paddles (option) | R-Design leather gear knob | R-Design pedals | R-Design textile mats | Charcoal headlining | Interior illumination, high level | R-Design metal front tread plates

INSPIRED BY THE ART OF DRIVING

R-Design is our most powerful expression, characterised by dynamic contrasts and a confident presence. Unique exterior design details in glossy black, such as the front grille, the roof and the door mirror caps, together with large alloy wheels make it possible to create a truly distinctive look.



The driver-focused R-Design interior with R-Design steering wheel partly clad in Perforated Leather, a Leather gear knob, aluminium sport pedals and optional gear shift paddles puts you in the centre of action.

The concave Cutting Edge aluminium décor with integrated LED light guides creates a sporty, exclusive ambience inside your XC40 – day and night.



MOMENTUM.

CONTEMPORARY URBAN STYLE

Momentum is a proud expression of urban style, where smart features and contemporary design interact to create a confident and vivid look. Designed and build for a better life in the city, the XC40 Momentum is well equipped with everything you need for successful living.



XC40 MOMENTUM

Includes :

Exterior :

19" 5-Spoke Black Diamond Cut alloy wheel (option) | Grille Dark Grey with chrome frame | Clamshell hood | Contrasting White roof (option) | Bright integrated roof rails | Colour adapted door mirror covers | LED headlights | In-coloured Silver skid plate | Hidden tailpipes

Interior :

Leather upholstery | 4-way power lumbar support | Urban Grid aluminium decor inlays | Leather steering wheel | Leather gear knob | Textile mats | Interior illumination, mid level

CONFIDENTLY URBAN

Everything with the XC40 Momentum is self-assured and confident.



The glossy silver skid plate with hidden tailpipes gives a robust yet stylish impression from behind.



The front of the XC40 Momentum is distinctively defined by the grille in dark grey and its frame in bright chrome.



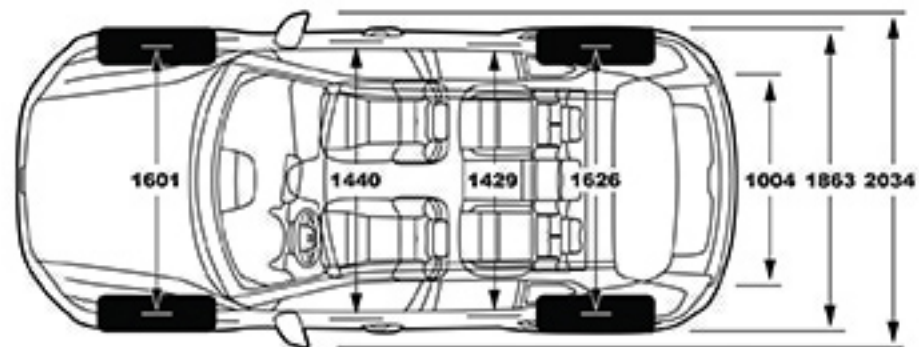
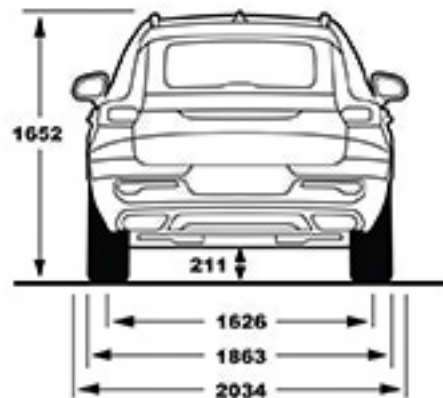
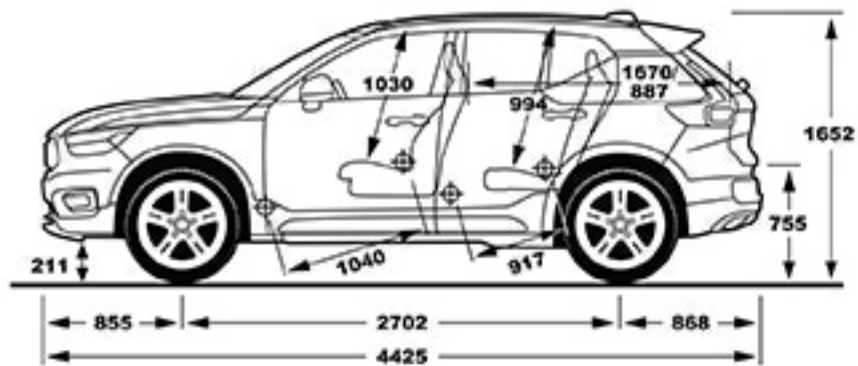
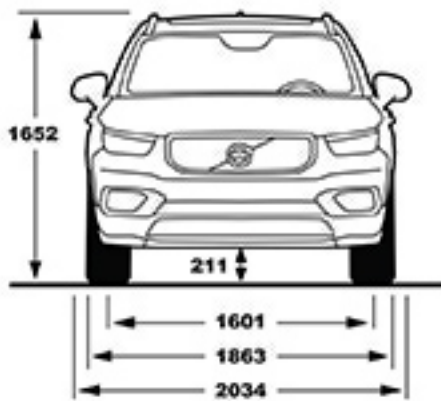
The XC40 Momentum interior with Leather seats, concave Urban Grid aluminium decor, Leather steering wheel and textile mats reflects the essence of beautiful Scandinavian design.

SPECIFICATION XC40

Model:	XC40		Automatically dimmed inner and outer rear view mirrors	\$	\$
Engine:	1969CC 4 Cylinder T5 AWD Petrol		Carpet kit, textile	-	\$
Rated Output: (hp/rpm)	247/5500		Carpet kit, textile R-design	\$	-
Rated Torque: (nm)	350		Front tread plates, plastic	-	\$
Acceleration: (0-100km/h) seconds	6.5 seconds		Front tread plates, metal R-design	\$	-
Transmission:	8AT-AWD		Interior illumination high level	\$	-
Fuel tank capacity: (Liter)	54		Interior illumination mid level	-	\$
Fuel consumption: (L/100km) combined	7.1		With windscreen ticket holder	\$	\$
Speed Limit: (km/h)	230		Storage box under driver seat	\$	\$
Version:			GloveBox Curry Hook	\$	\$
Emblems	R-Design	Momentum	Cloth Hook Fitted In Roof Load Net Fixation Point	\$	\$
V316 emblem	\$	\$	Waste Bin With Net In Front Of Armrest	\$	\$
Emblem 'T5'	\$	\$	Gearshift panel High gloss Black	\$	-
AWD emblem tailgate	\$	\$	Gearshift panel Charcoal	-	\$
R-design rank mark on tailgate	\$	-			
Climate			Luggage compartment		
2-zone Electronic Climate Control incl. cooled glove box	\$	\$	Temporary spare wheel T125/80R18	\$	\$
CleanZone (AQS with prevent at unlocking)	\$	\$	Jack	\$	\$
Afternoon parking climate	\$	\$	With power operated tailgate	\$	\$
Tinted windows, rear side doors and cargo area	\$	\$	Foldable floor hatches with grocery bag holder	\$	\$
Power panoramic sun roof	\$	-	Cargo opening metal scuff plate	\$	-
Locking and security systems			Load safety net, 1-piece	\$	\$
Alarm	\$	\$	First aid kit	\$	\$
Interior motion sensor for alarm	\$	\$	Warning triangle	\$	\$
Without blocked lock mode	\$	\$	12V power outlet in cargo area	\$	\$
Inclination sensor for alarm	\$	\$	Floor mat under cargo area hatch	\$	\$
Key remote control R-design, leather clad	\$	-			
Key fob Base	-	\$	Exterior		
Keyless Entry with remote tag	\$	-	Bright integrated roof rails	-	\$
Private locking	\$	\$	Glossy black integrated roof rails (R-design)	\$	-
Electrical child lock, rear side doors	\$	\$	Standard grille	-	\$
Two step unlocking enabled, default ON, Slam locking disabled	\$	\$	R-design grille	\$	-
Central lock switch with diode in front doors	\$	\$	Standard window trim	-	\$
Tempered glass, side & rear windows	\$	\$	Glossy black window trim, lower part (R-design)	\$	-
With electric fuel lid opening	\$	\$	Solid black (019) exterior roof colour	\$	-
Instrumentation			Dual integrated tail pipes	\$	-
Instrument cluster with 12.3 inch display	\$	\$	Hidden tail pipes	-	\$
Seats			Colour adapted rear view mirror covers	-	\$
R-design Leather / Nubuck uph. - Comfort - With rear armrest, ski hatch, cup holders	\$	-	Glossy black rear view mirror covers	\$	-
Leather uph. - Comfort - With rear armrest, ski hatch, cup holders	-	\$	Retractable rear view mirrors	\$	\$
Power driver seat with memory function	\$	\$	Foglights in front spoiler	\$	\$
Power passenger seat without memory function	\$	-	LED headlights	-	\$
Mech. pass. seat with height and length adjustment	-	\$	LED headlights with Active Bending Lights	\$	-
4-way power lumbar support	\$	\$	Headlight cleaning	\$	-
Mech. cushion extension, driver and passenger	\$	-	EBL, Flashing Brake Light and Hazard Warning	\$	\$
Fixed rear headrests	\$	\$	C-Pillar R-design Moulding	\$	-
Interior			Glossy Silver Skid Plates, Front & Rear	-	\$
Aluminium décor inlays	-	\$	Glossy black Skid Plates, Front & Rear	\$	-
R-design aluminium décor inlays	\$	-	AWD emblem tailgate	\$	\$
Charcoal head lining	\$	-			
Illuminated vanity mirror in sun visors, both sides	\$	\$	Support systems		
Leather steering wheel with unideco inlay, 3 spoke	-	\$	Adaptive Cruise Control	\$	\$
R-design steering wheel with unideco inlay, 3 spoke	\$	-	Collision Mitigation Support, front	\$	\$
Gear shift paddles	\$	-	Lane Keeping Aid	\$	\$
Leather gear lever knob	-	\$	Blind spot Information System with Cross Traffic Alert	\$	\$
R-design gear level knob	\$	-	Collision Mitigation Support, rear	\$	\$
R-design pedals	\$	-	Rear Parking Camera, GEN 2	\$	\$
			Park Assist, front and rear	\$	\$
			Personal settings, power steering	\$	\$
			Drive mode settings	\$	\$
			Hill start assist	\$	\$
			Rain sensor	\$	\$
			Hill Descent Control	\$	\$

Safety		
Airbag, driver and passenger	S	S
Belt minder all seats, EU logic	S	S
Cut-off switch passenger airbag	S	S
EBL, Flashing Brake Light and Hazard Warning	S	S
Audio, Navigation & Tele		
High Performance audio	S	S
2 USB connections, front tunnel	S	S
USB outlet in rear end tunnel console	S	S
Navigation Pro	S	S
Map region for South East Asia	S	S
Road Sign Information, RSI	S	S
Volvo On Call	S	S
With Telematic module, ROW LTE	S	S
With device mirroring, ACP & AA	S	S
Speech function	S	S
Inductive charging for smartphone, front tunnel	S	S
Transmission		
AWF22AWD, Automatic 8-speed AWD	S	S
Engine installation		
Volume 54 Litre	S	S
Speed limit 230 km/h	S	S
Petrol Fuel pump with external filter	S	S
Service distance 10000 km / ~6210 miles	S	S

Chassis		
Sports chassis, std height	S	-
Dynamic chassis	-	S
Front brake discs 17 inch	S	S
Rear brake disc 16 inch	S	S
Wheels		
18" 5-Spoke Silver Alloy Wheel-921	-	S
19" 5-Double Spoke Matt Black Diamond Cut Alloy Wheel-911	S	-
235/50 R19	S	-
235/55 R18	-	S
Pirelli V	S	S
Indirect TPMS, EU Algorithm	S	S
Driver Information		
Owners manual English, with warranty booklet	S	S
English	S	S
Digital owners manual	S	S



A VERSATILE SPACE



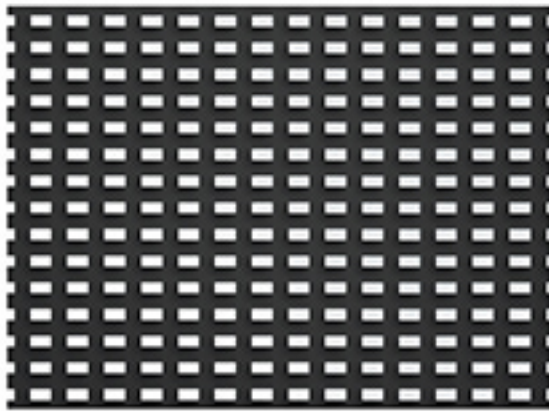
Go hands-free

When your hands are full, the power-operated tailgate on the XC40 makes life easy.



The right fit

The XC40 helps you fit your life into your car. The load compartment is one of the largest in the class, with a regular shape that helps you make the most of the space.



Aluminium inlay



Aluminium inlay



19" 5-double spoke Matt
Black Diamond Cut
(R Design)



18" 5-spoke Silver,
alloy wheel
(Momentum)

PAINT AND UPHOLSTERY COLORS



019
Black Stone



614
Ice White



621
Amazon Blue



714
Osmium Grey



711
Bright Silver



717
Onyx Black



725
Fusion Red



019
Black Stone



707
Crystal White Pearl



711
Bright Silver metallic



714
Osmium Grey metallic



720
Bursting Blue metallic



725
Fusion Red metallic



A SELECTION OF OUR INTERIORS

UPHOLSTERIES Leather Standard Momentum

1. Textile/vinyl Charcoal in Charcoal interior (R300)
2. Oxide Red Leather in Charcoal interior (RD90)
3. Leather Amber in Charcoal interior (RD20)
4. Textile/vinyl Blond in Charcoal/Blond interior (U470)
5. Blond Leather in charcoal interior (U070)
6. Leather Charcoal in Charcoal interior (RD00)

UPHOLSTERIES Nubuck-Nappa Leather Standard R-Design, Sport Seat

7. Nubuck textile/Leather Charcoal in Charcoal interior (RB00)

V O L V O

Color and accessories may vary from country to country, please refer to standard options list provided by your dealer.

Printed in Myanmar, 2018/11/V2



Authorized importer and distributor
VOLVO CARS MYANMAR
Performance Auto International, Co., Ltd.
146 Dhammazedil Road, Bahan Tsp, Yangon.

 099650 86586

 VolvoCarsMyanmar

www.volvocars.com.mm